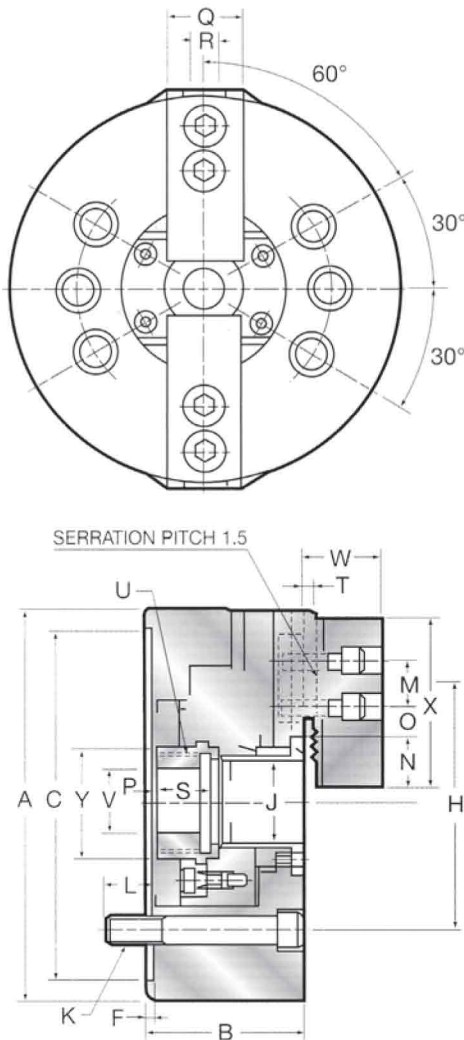


## Workholding 2 Jaw High Speed Open Center Power Chuck



- 1.5mm x 60° Master Jaw
- Repeatability +/- .0005"
- Large thru-hole
- Hardened jaw ways and all internal parts
- All steel body
- High RPM

Model No.	Mount	Thru Hole	Jaw Stroke Dia.	Sleeve Stroke	Gripping Capacity		Draw Bar Pull	Grip Force (lb/f)	Max RPM	Weight (lbs)
					Max	Min				
20-687-06A5DZ	A2-5	1.771	.216	.472	6.65	.590	4,945	12,813	6000	30
20-687-08A5IZ	A2-5	2.047	.291	.630	8.27	.512	7,824	19,332	5000	52
20-687-08A6DZ	A2-6	2.047	.291	.630	8.27	.512	7,824	19,332	5000	52
20-687-10A6IZ	A2-6	2.952	.346	.748	10.00	1.220	9,667	24,953	4200	91
20-687-10A8DZ	A2-8	2.952	.346	.748	10.00	1.220	9,667	24,953	4200	91
20-687-12A6IZ	A2-6	3.582	.417	.905	11.97	1.653	12,363	32,372	3300	148
20-687-12A8DZ	A2-8	3.582	.417	.905	11.97	1.978	12,363	32,372	3300	141
20-687-12A11IZ	A2-11	3.582	.417	.905	11.97	1.978	12,363	32,372	3300	141



### Dimensional Data

MODEL	06A5D	08A5I	08A6D	10A6I	10A8D	12A6I	12A8D	12A11I
A	6.63	8.26	8.26	10.00	10.00	11.97	11.97	11.97
B	3.582	-	4.055	4.724	4.449	5.079	4.832	-
C	5.512	6.693	6.693	8.661	8.661	8.661	8.661	8.661
D	3.201	3.201	4.188	4.188	5.501	4.118	5.501	7.751
E	.590	-	.669	.984	.708	.984	.708	-
F	.167	.167	.167	.167	.167	.236	.236	.236
G	4.126	5.252	5.252	6.748	6.748	6.748	6.748	6.748
H	4.126	-	5.252	5.252	6.748	5.252	6.748	9.250
J	1.771	2.047	2.047	2.953	2.953	3.582	3.582	3.582
K	6-M10	6-M12	6-M12	6-M16	6-M16	6-M16	6-M16	6-M16
L	.630	-	.708	.728	.945	.728	.984	-
M	.787	.984	.984	1.181	1.181	1.181	1.181	1.181
N	max	1.259	1.523	1.523	2.007	2.007	2.413	2.413
	min	1.151	1.378	1.378	1.834	1.834	2.204	2.204
O	max	.895	1.171	1.171	1.329	1.326	1.801	1.801
	min	.364	.581	.581	.581	.581	.620	.620
P	max	1.023	-	1.240	1.319	1.043	1.299	1.299
	min	.551	-	.610	.571	.295	.394	.394
Q	1.220	1.378	1.378	1.575	1.575	1.968	1.968	1.968
R	.472	.551	.551	.630	.630	.827	.827	.827
S	.748	.807	.807	.984	.984	1.102	1.102	1.102
T	.0789	.0789	.0789	.0789	.0789	.0789	.0789	.0789
U	max	M55x2.0	M60x2.0	M60x2.0	M85x2.0	M85x2.0	M90x2.0	M100x2.0
V	-	6-M10	-	6-M12	-	6-M12	-	6-M20
W	2.362	2.598	2.598	3.701	3.701	4.252	4.252	4.252
X	.787	1.181	1.181	1.771	1.771	1.968	1.968	1.968
Y	1.142	1.535	1.535	1.693	1.693	2.009	2.009	2.009
Z	2.834	3.740	3.740	4.331	4.331	4.370	4.370	4.370