



FLEXORBITAL SERIES 100



FLEXORBITAL SERIES 100



I Gli utensili per molatura FLEXORBITAL SERIES 100 possono essere usati per le superfici di quasi tutti i materiali.

L'albero é compensato assialmente con la pressione necessaria che sarà calcolata dal programma. Il peso é bilanciato da due molle integrate.

L'utensile può essere montato in posizione statica su un porta-utensile (TOOLSTAND) o sul braccio del robot. Nel caso di cambio automatico di questi dispositivi, è disponibile un cambio-rapido (TOOL-CHANGER).

Per garantire il funzionamento ottimale del motore é necessario utilizzare aria compressa filtrata e lubrificata.

GB The grinding tools FLEXORBITAL SERIES 100 can be used for surface finishing of almost any material.

The spindle is axially compliable while the necessary pressure is monitored by program control. The weight is compensated by two integrated springs.

The tool can either be mounted stationary onto a tool stand (TOOLSTAND) or onto the robot arm. If these tools at the robot have to be changed automatically, a tool changing systems (TOOL-CHANGER) is available.

To assure an optimal life of the air motors the compressed air must be cleaned and lubricated.

D Die Schleifwerkzeuge FLEXORBITAL SERIE 100 eignen sich zur Oberflächenbearbeitung von fast allen Materialien.

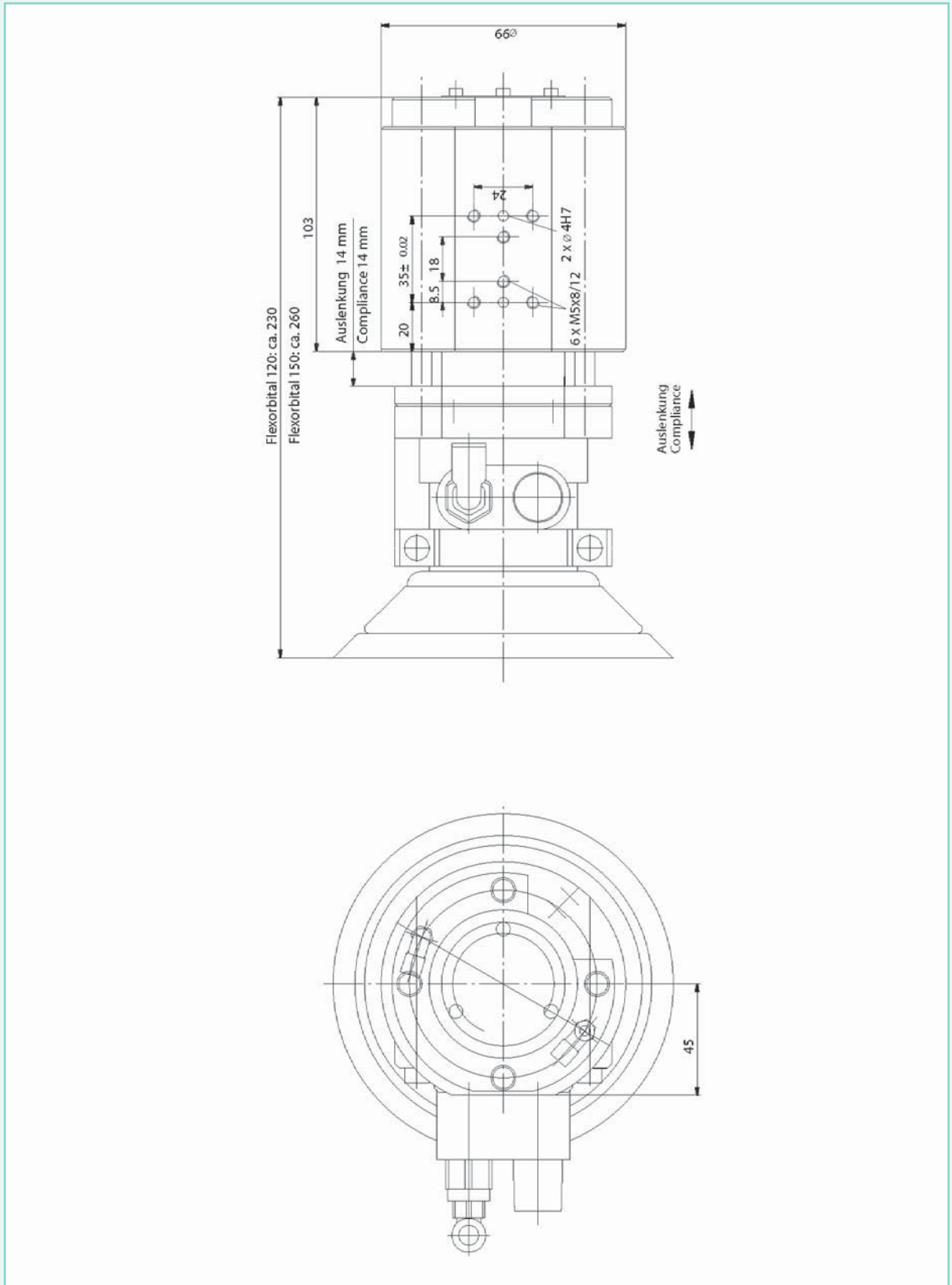
Die Bearbeitungsscheibe ist achsial auslenkbar gelagert, wobei die notwendige Anpresskraft programmgesteuert variiert werden kann. Das Eigengewicht wird durch zwei eingebaute Federn kompensiert.

Das Werkzeug kann entweder am Roboterarm oder stationär an einem Werkzeugständer (TOOLSTAND) angebaut werden. Sollen diese Werkzeuge am Roboter automatisch gewechselt werden, so steht ein Werkzeug-Wechselsystem (TOOL-CHANGER) zur Verfügung.

Für eine optimale Funktion der Luftmotoren wird gereinigte und geölte Druckluft benötigt.



FLEXORBITAL SERIES 100



FLEXORBITAL SERIES 100



DATI TECNICI

	FLEXORBITAL 120	FLEXORBITAL 150
Potenza motore	.186 W	.336 W
Velocità rotazione a vuoto	.12000 g/min	.12000 g/min
Diametro orbitale	.5 mm (3/16")	.5 mm (3/16")
Movimento di compensazione assiale	.14 mm	.14 mm
Forza di compensazione a 6 bar	.60 N	.60 N
Avanzamento	.50-100 mm/sec	.50-100 mm/sec
Consumo di aria	.6.6 l/sec	.11 l/sec
Ingressi alimentazione aria	.G1/4" 12/4 mm	.G1/4" 12/4 mm
Mola	.Ø73-116 mm	.Ø73-152 mm
Peso	.3.5 Kg	.4 Kg
Codice articolo	.3039.200	.3039.250

ACCESSORI OPZIONALI

		Codice
Dischi abrasivi		.su richiesta

SPECIFICATIONS

	FLEXORBITAL 120	FLEXORBITAL 150
Power	.186 W	.336 W
Idling speed	.12000 rpm	.12000 rpm
Orbital diameter	.5 mm (3/16")	.5 mm (3/16")
Compliance axial movement	.14 mm	.14 mm
Compliance force at 6 bar	.60 N	.60 N
Feed forward rate	.50-100 mm/sec	.50-100 mm/sec
Air consumption	.6.6 l/sec	.11 l/sec
Air connections	.G1/4" 12/4 mm	.G1/4" 12/4 mm
Wheel	.Ø73-116 mm	.Ø73-152 mm
Weight	.3.5 Kg	.4 Kg
Article-No	.3039.200	.3039.250

OPTIONAL ACCESSORIES

		Code
Grinding disks		.on request

TECHNISCHE DATEN

	FLEXORBITAL 120	FLEXORBITAL 150
Motorleistung	.186 W	.336 W
Leerlaufdrehzahl	.12000 min ⁻¹	.12000 min ⁻¹
Orbitaldurchmesser	.5 mm (3/16")	.5 mm (3/16")
Auslenkweg axial	.14 mm	.14 mm
Auslenkraft bei 6 bar	.60 N	.60 N
Vorschub	.50-100 mm/sec	.50-100 mm/sec
Luftverbrauch	.6.6 l/sec	.11 l/sec
Luftanschlüsse	.G1/4" 12/4 mm	.G1/4" 12/4 mm
Scheiben	.Ø73-116 mm	.Ø73-152 mm
Gewicht	.3.5 Kg	.4 Kg
Artikel-Nr.	.3039.200	.3039.250

Ergänzendes Zubehör

		Artikel-Nr.
Schleifscheiben		.auf Anfrage