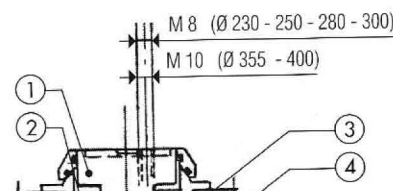
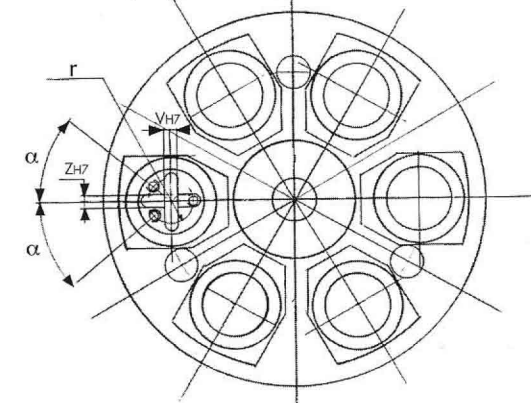
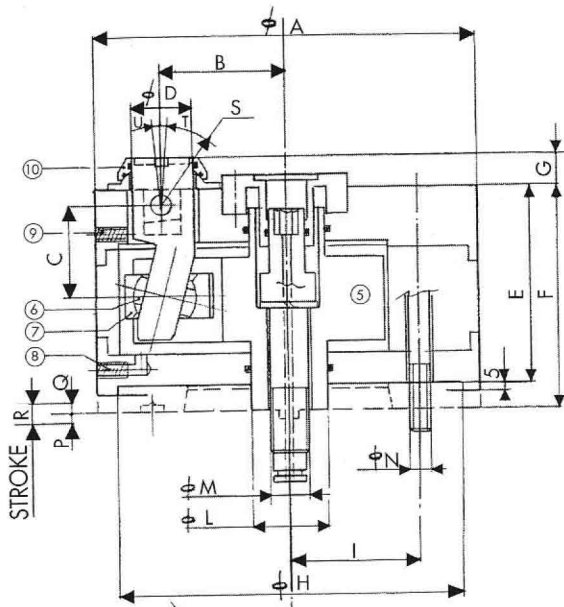
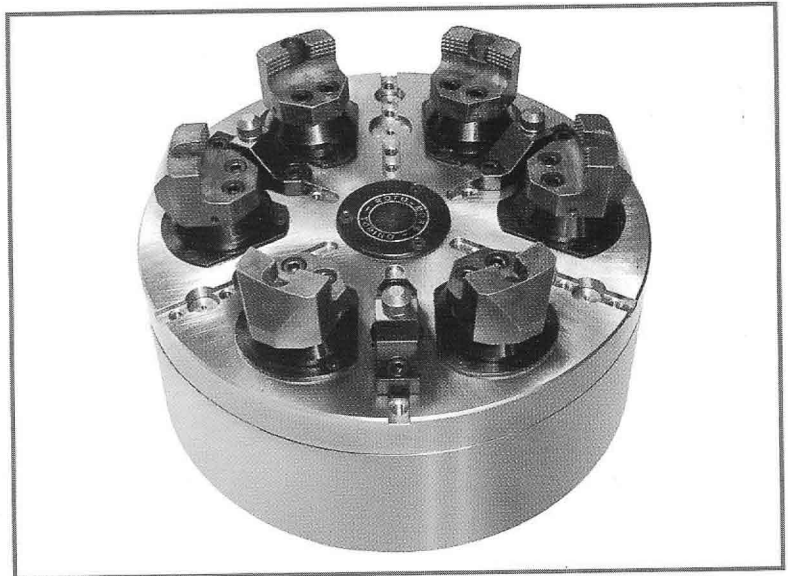


**AUTOMATIC SELF-CENTERING 6
JAWS-CHUCK TYPE U-ASA II-P6
WITH 6 JAWS BALANCED BY 2+2+2
AND WITH PULL-DOWN ACTION:
THIS CHUCK IS FULLY SEALED**

All internal moving parts operate in an oil bath: this system prevents any contamination by foreign matters, such as swarf, dust or coolant; this system ensures **total reliability** and long-life in production environment.



- 1 - JAW - HOLDER LEVER BLOCK
- 2 - ROTATION CYLINDRICAL PIN
- 3 - SUPPORTING BLOCKS
- 4 - SLANTED INSERT FOR DOWN-CLAMPING ADJUSTMENT
- 5 - DRAW-DOWN PLATE
- 6 - BALL BUSH
- 7 - EQUALIZING ARM
- 8 - DRAIN PLUG
- 9 - OIL FILLING PLUG
- 10 - SEAL RING

TYPE	230	250	280	300	355	400
A Ø	230	250	280	300	355	400
B	80	80	90	105	110	130
C	60	60	60	60	90	90
D Ø	40	40	40	40	52	52
E	120	130	130	130	150	150
F	150	150	150	150	160	160
G	20	20	20	20	26,5	26,5
H Ø	220	230	250	250	300	300
I	85,7	85,7	85,7	85,7	117,5	117,5
L Ø	50	50	50	50	50	50
M Ø	M24x2	M24x2	M24x2	M24x2	M24x2	M24x2
N Ø	M16	M16	M16	M16	M20	M20
P	8	8	8	8	12	12
Q	10	10	10	10	16	16
R	18	18	18	18	28	28
S	60	60	60	60	90	90
T	3°	3°	3°	3°	4° 30'	4° 30'
U	2°	2°	2°	2°	2° 30'	2° 30'
V	8	8	8	8	12	12
Z	8	8	8	8	12	12
r.	14	14	14	14	19	19
α	38°	38°	38°	38°	40°	40°
Weight	30	45	63	72	98	125
Max. rounds/m'	3000	2800	2500	2200	2000	1800
Pd ²	0,76	1,20	1,8	2,9	5	8
Max. force on the draw-bar	2500	2500	2800	3000	4000	5000
Force per jaw on radius 'S' Kg	1000	1000	1200	1350	1800	2250
UNI - ASA - DIN - ISO	8"	8"	8"	8"	8" 11"	8" 11"

Typical applications of these chucks are:
BEARING RINGS, brake drums and disks,
clutch disks, flanges, light alloy components,
light pulleys.