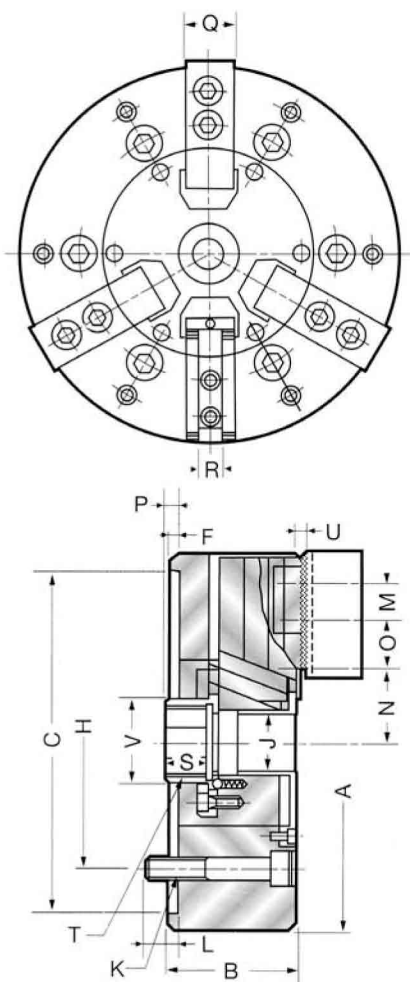


## Workholding 2/3 Jaw Thru-Hole Power Chuck



- Used as 2 Jaw or 3 Jaw Power Chuck
- Thru-hole and long stroke
- Adapter Mounted
- Serration Pitch 1.5mm 8", 10" & 12" - 3mm 15"
- Larger diameters available upon request

Model No.	Jaw Stroke Dia.	Sleeve Stroke	Gripping Diameter		Maximum Pull		Max Grip		Max RPM	Weight (lbs)
			2 Jaw Max	3 Jaw Min	2 Jaw (lbs)	3 Jaw (lbs)	2 Jaw (lbs)	3 Jaw (lbs)		
20-677-08-A5Z	.378	.709	7.87	1.181	3,306	4,409	7,275	9,700	3000	44
20-677-08-A6Z	.378	.709	7.87	1.181	3,306	4,409	7,275	9,700	3000	44
20-677-10-A6Z	.728	.984	9.84	1.181	5,070	7,716	9,038	13,668	3000	70
20-677-10-A8Z	.728	.984	9.84	1.181	5,070	7,716	9,038	13,668	3000	70
20-677-12-A8Z	.803	1.102	11.81	1.967	6,613	9,920	11,684	17,636	2500	121
20-677-12-A11Z	.803	1.102	11.81	1.967	6,613	9,920	11,684	17,636	2500	121
20-677-15-A8Z	.803	1.102	13.78	2.756	8,818	13,227	15,652	23,148	2000	218
20-677-15-A11Z	.803	1.102	13.78	2.756	8,818	13,227	15,652	23,148	2000	218



### Dimensional Data

MODEL	8	10	12	15
A	8.26	10	11.97	15
B	2.874	3.346	3.819	4.803
C	7.480	9.055	11.024	13.760
F	.197	.197	.197	.276
H	5.250	6.750	7.874	9.843
J	1.378	1.575	2.165	2.953
K	6-M12	6-M16	6-M20	6-M20
L	.787	.866	.984	1.063
M	.984	1.181	1.181	1.969
N	max 1.803 min 1.614	max 2.020 min 1.661	max 2.891 min 2.189	max 3.378 min 2.976
O	max 1.181 min .295	max 1.654 min .374	max 1.831 min .413	max 2.608 min .591
P	max .827 min .118	0 -.984	0 -1.102	0 -1.102
Q	1.181	1.378	1.575	1.575
R	.475	.630	.630	.826
S	1.063	1.102	1.181	1.575
T	M42	M50	M65	M85
U	.197	.197	.197	.197
V	1.890	2.283	2.953	3.740